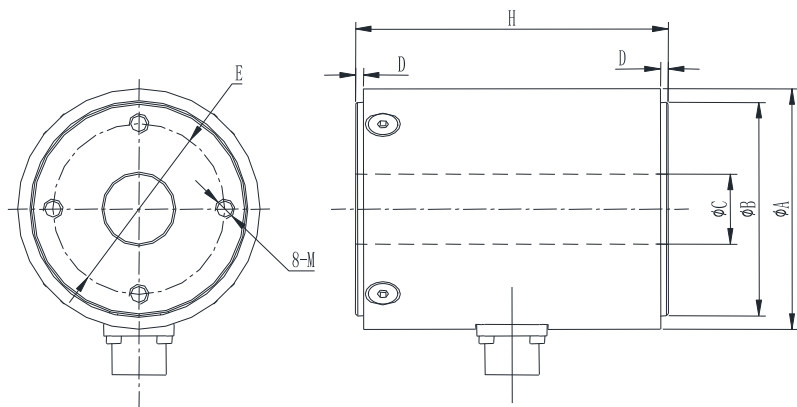


### 安装尺寸/Mounting Dimension

## JC62



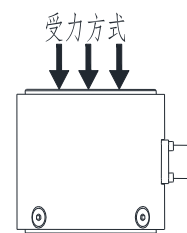
### 特点与用途/Features & Applications

- 变形量小
- 不锈钢材料
- 防护等级: IP66
- 适用于各种小空间的测力, 广泛应用于工业、研发等领域的测量和控制
- small deflection
- Made of stainless steel
- IP67 protection
- Suitable for force measurement in limited spaces. Widely used for industrial measurement and control, R&D and other applications

Cap (kN)	A	B	C	D	E	H	M
5	40	35	10H8	1	24	50	M4deep8
10,20,50,100	62	55	18H8	2	44	70	M5deep8

参数	Specifications	技术指标/Technique
额定容量	Capacity	5, 10,20,50, 100kN
输出灵敏度	Rated output	1.0±10% $mV/V$
零点输出	Zero balance	±0.05 $mV/V$
非线性	Non-linearity	0.2%F.S.
滞后	Hysteresis	0.2%F.S.
重复性	Repeatability	0.1%F.S.
蠕变 (30min)	Creep(30min)	0.1%F.S.
温度灵敏度漂移	Temp.effect on output	0.05%F.S./10°C
零点温度漂移	Temp.effect on zero	0.05%F.S./10°C
输入电阻	Input impedance	780 ± 20Ω
输出电阻	Output impedance	700 ± 10Ω
绝缘电阻	Insulation	≥5000MΩ/100VDC
激励电压	Recommended excitation	5~15V
最大激励电压	Maximum excitation	20V
温度补偿范围	Compensated temp range	-10~60°C
工作温度范围	Operation temp range	-20~80°C
安全超载	Safe overload	150%F.S.
极限超载	Ultimate overload	200%F.S.
电缆线尺寸	Cable size	φ 5×4m
材料	Material	Stainless Steel (不锈钢)
防护等级	IP Class	IP66

### 受力方式/Load Direction



### 配线图/Wiring Code

